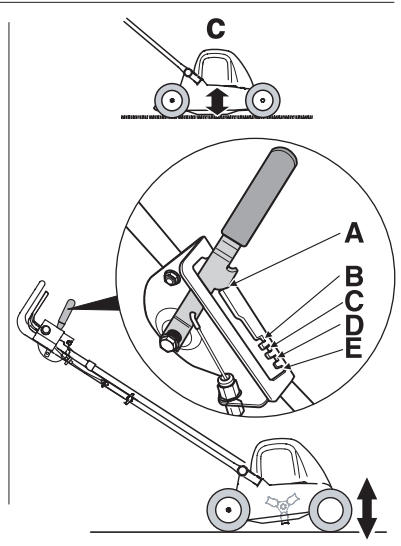
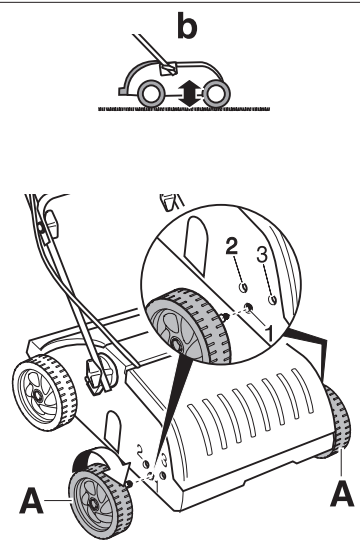
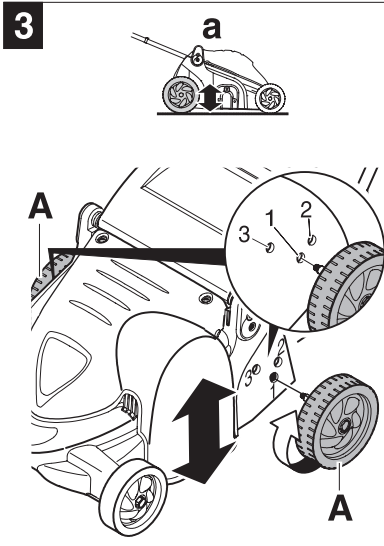
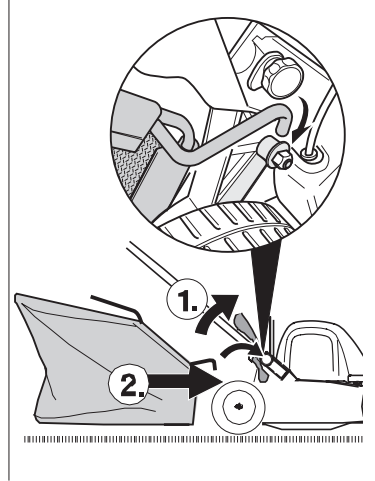
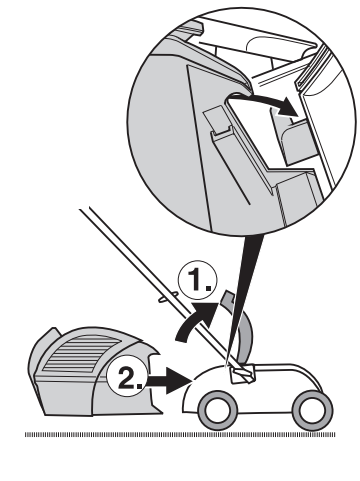
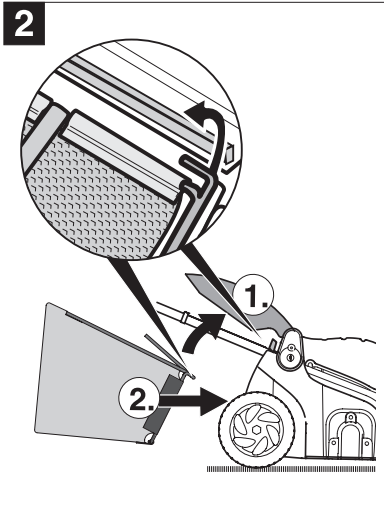
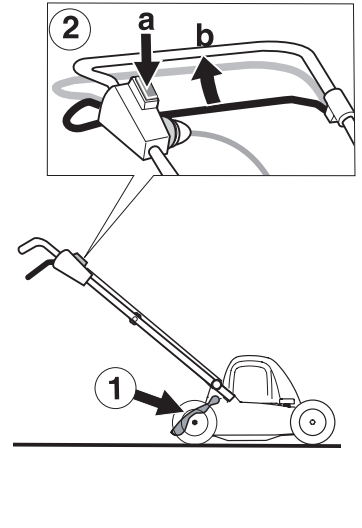
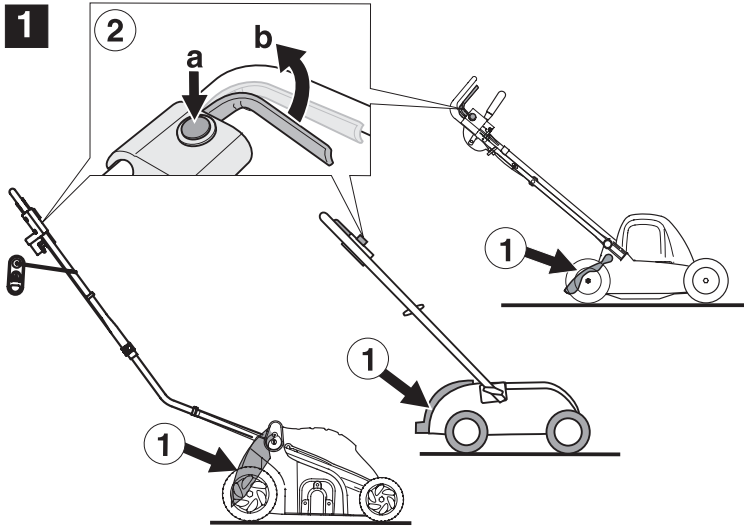
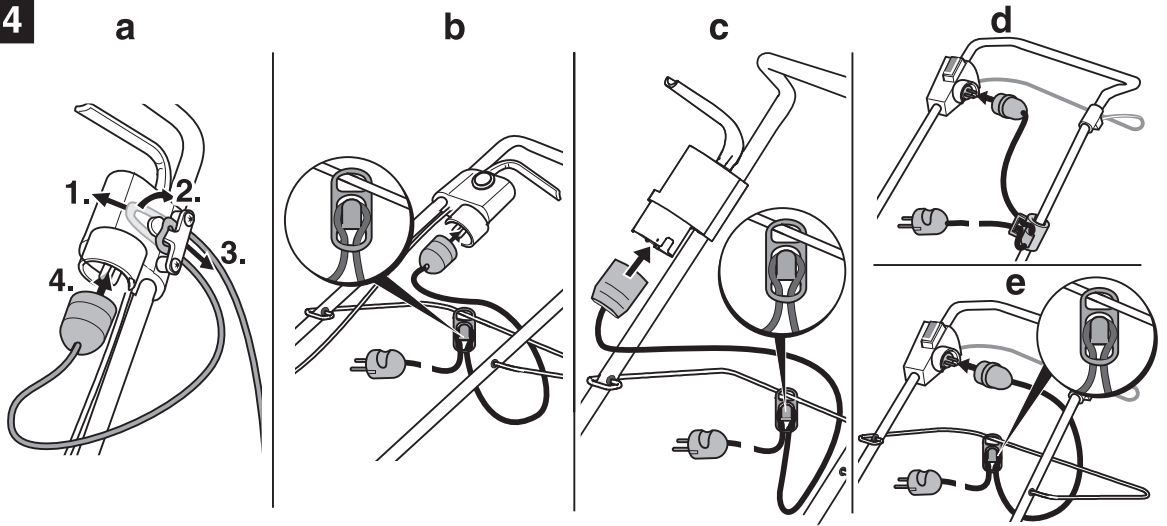
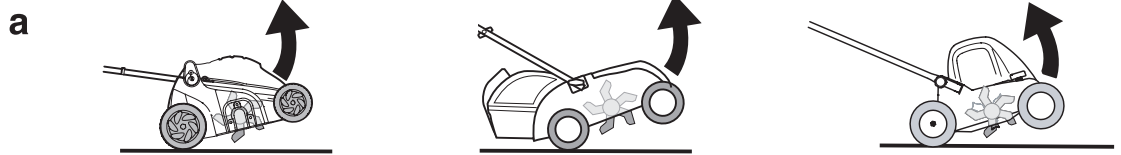
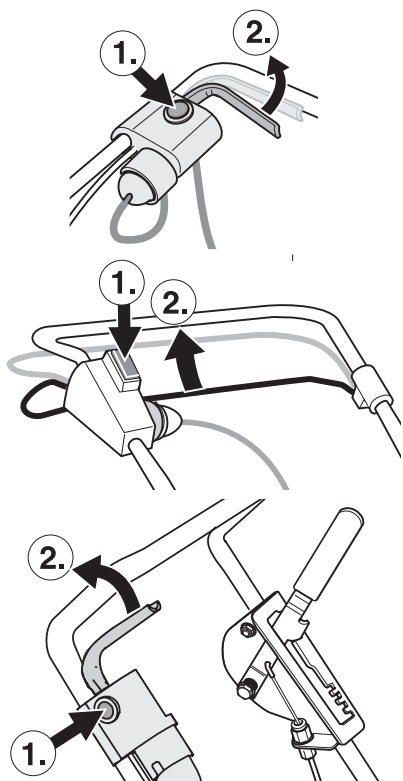
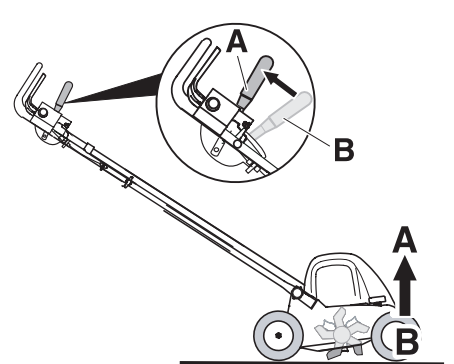
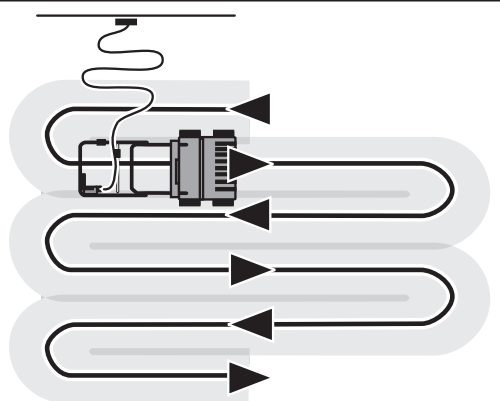
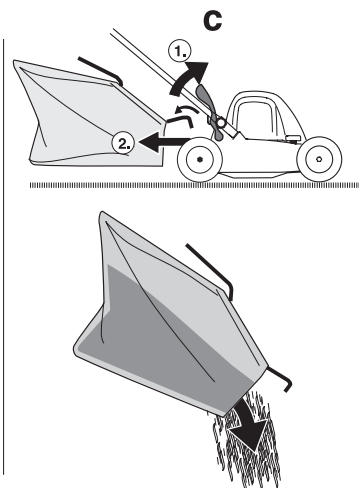
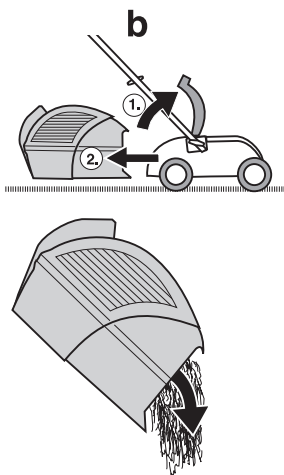
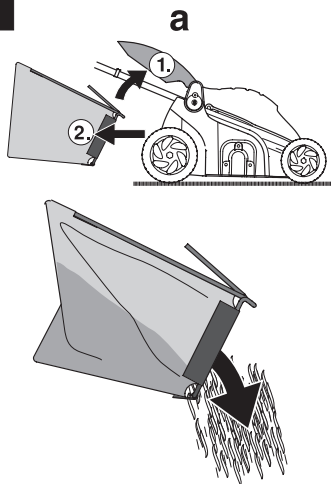
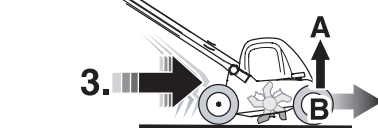
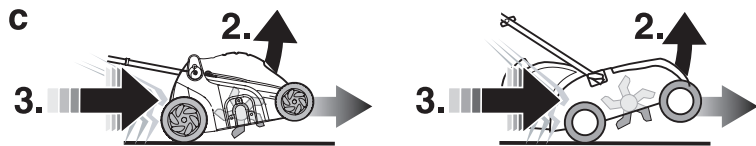
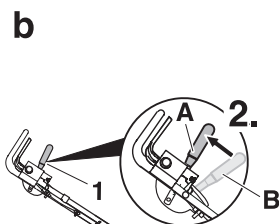
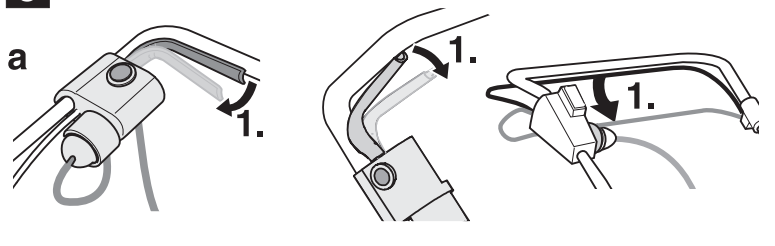
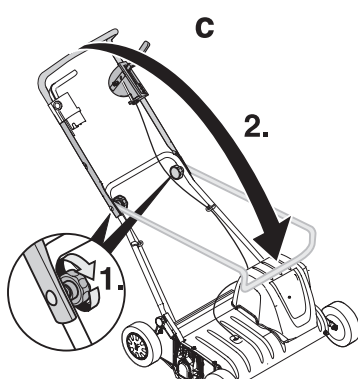
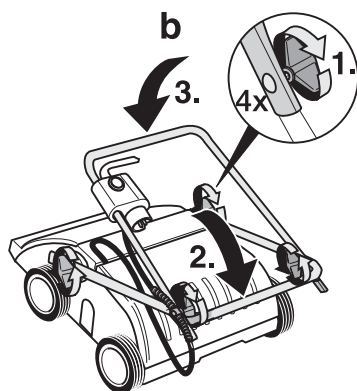
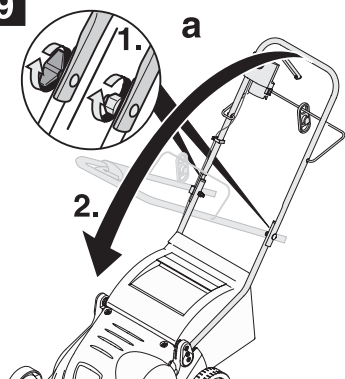


L 07  
FORM NO. 769-00765D


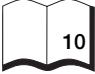
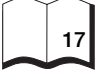

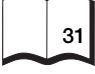
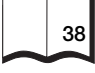




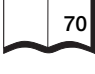

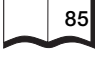





**4****5****6****7****8**

**7****8****9**



English	→	 4
Français	→	 10
Deutsch	→	 17
Nederlands	→	 24
Italiano	→	 31
Español	→	 38
Svenska	→	 45
Dansk	→	 51
Norsk	→	 58
Suomi	→	 64
Português	→	 70
Ελληνικά	→	 77
Polski	→	 85
Česky	→	 92

## Contents

For your safety .....	4
Assembling the unit.....	6
Functional description .....	6
Operating safety.....	6
About aeration .....	8
Transporting the appliance.....	8
Servicing/cleaning .....	8
Laying up the vehicle.....	8
Warranty .....	9
Identifying and eliminating malfunctions .....	9

## Information on rating plate

These details are very important as they will not only be needed for identifying your machine when ordering replacement parts but they will also be required by Customer Service. The rating plate is found near the engine. Enter all information on the rating plate of your unit in the following box.

_____
_____
_____

This and other information about the unit can be found on the separate CE Declaration of Conformity which is a component of this operating manual.

## Illustrations



Fold out the illustrated pages at the start of the operating manual.

The graphical representation may differ in detail from the unit which you purchased.

## For your safety

### Use the appliance properly

This appliance is approved solely for use

- in accordance with the descriptions and safety instructions specified in this user's guide
- as a lawn scarifier in a home or hobby environment.

Any other use is not as intended. The user is liable for all damage caused to third parties and their property.

Unauthorized modifications made to the appliance rule out any liability on the part of the manufacturer for damage resulting therefrom.

### Observe the safety and operating information

Before using the appliance for the first time, read and follow these operating instructions carefully. Comply with the operating manual and keep it for subsequent use. Never allow children or other persons to use the appliance who do not know the operating instructions.

If the unit changes ownership, hand over the operating manual.

### General safety information

In this section you will find general information about safety. Warnings that apply specifically to individual parts of the scarifier, functions or activities are shown at the corresponding point in this user's guide.

### Before working with the appliance

Persons using the appliance must not be under the influence of intoxicants e.g. alcohol, narcotics, medication, etc.

Persons younger than 16 years of age must not use this appliance – local regulations can determine the minimum age of the users.

Before you begin work, make that you are familiar with all attachments and operating controls as well as their functions.

Use outdoors with the permitted and appropriately identified power cord only, e.g. H07RN – F 3 x 1.5 mm<sup>2</sup> (max. 50 m).

Connecting parts of the power cord must be splash-proof and made of rubber or covered with rubber.

Before using the unit, always check whether the power cord is damaged, brittle or tangled.

To do this, switch off the unit and pull out the mains plug. Use only a power cord which is in perfect condition. Immediately have a damaged power cord replaced by a specialist company.

Before using the appliance,

- whether the grass catcher works and the deflector closes correctly. Replace damaged, worn out or missing parts immediately.
- check for any wearing or damage to the cutters, fastening pins, and the whole cutter unit. Have worn or damaged parts replaced by a specialist company and only in sets to exclude imbalances.
- whether the power cord is damaged between the motor and switch/plug combination. Immediately have a damaged power cord replaced by a specialist company.

Spare parts must conform with the requirements specified by the manufacturer. Therefore use original spare parts only or spare parts authorised by the manufacturer. Have repairs carried out by a specialist company only.

## When working with the appliance

When working with or on the appliance you must wear protective clothing. This includes:

- safety shoes,
- trousers,
- close-fitting garments,
- Ear protection
- protective goggles, etc.

Operate the vehicle only when it is in good technical condition as stipulated and delivered by the manufacturer.

## Before all work on this appliance

To prevent injury before performing any work (e.g. maintenance and adjustments) on this unit

- switch OFF the engine,
- wait until all rotating parts have come to a standstill,
- pull out the mains plug,
- leave the motor to cool down (approx. 30 minutes).

## After working with the appliance

Before leaving the unit, always

- pull out the mains plug.

## Safety devices

Figure 1

### **Danger**

*Never use an appliance if it has damaged safety devices or if there are no safety devices fitted.*

### **Discharge flap (1)**

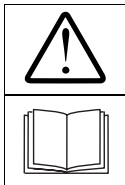
The discharge flap is a safety device. The discharge flap prevents injuries from the cutter deck or ejected solid objects. The lawn scarifier should never be operated with the deflector detached.

### **Safety lever (2)**

The switch lever is for your safety to stop the motor and cutter deck in an emergency. Never attempt to disable its function.

## Symbols on the appliance

On the appliance you will find various symbols on adhesive labels. They have the following specific meanings:



Warning! Please read the operating instructions before putting appliance into operation!



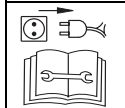
Keep third parties away from the danger area!



Before working on the cutters, pull out the mains plug!



Keep fingers and feet away from the cutters! Before adjusting or cleaning the unit or before checking



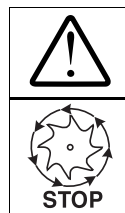
whether the power cord is entangled or damaged, switch off the unit and pull out the mains plug. Keep the power cord away from the cutters.



Danger! Rotating cutters!



Always wear eye and ear protection!



Danger! Appliance continues running!

Always keep these symbols on the appliance in a legible state.

## Symbols in the user's guide

This manual uses symbols which identify dangers or indicate important information. They have the following specific meanings:

### **Danger**

*They refer to dangers which are connected with the described activity and which may result in injury.*

### **Caution**

*They refer to dangers which are connected with the described activity and which may result in damage to the unit.*

### **Note**

Indicates important information and application tips.

## Disposal instructions

Dispose of packaging remnants, old units, etc., in accordance with local regulations.



**Old electrical equipment is recyclable and should therefore not be thrown in the dustbin!**

We request that you support us with your active contribution in the conservation of resources and protection of the environment and to dispose of this unit at collection points, if available.



## Assembling the unit

Illustrations at the end of the instructions or in a supplementary sheet show you how to assemble your unit in a few steps and make it ready for use. You will find the assembly sequence of your unit simple by comparing the illustration at top left of the illustrated assembly page with your unit.

## Functional description

The lawn scarifier is pushed by hand over the area of grass to be cut. The unit is powered via the power cord. The cutter deck is driven by an electric motor. The cutter deck rotates and removes the felt layer formed by moss, lichen and weeds and conveys the scarified material to the outside or into the grass catcher. The working depth is specified centrally via the height adjustment or individual wheel suspension.

## Operating safety

### **Danger**

#### **Electric shock**

- Use a safety switch on your mains socket (= residual current operated device with a release current not exceeding 30 mA).
- If you sever the power cord while aerating your lawn, you are at risk of being killed or injured. Slowly move away in short steps from the unit. Pull the plug out of the socket. When aerating your lawn, ensure that the power cord never gets into the cutting area.

#### **Accident**

- Persons, particularly children or animals, must never be near the appliance when scarifying. Risk of injury due to ejected stones or other objects.

#### **Falling over**

- Operate the vehicle at walking speed only.

- When cutting grass on a steep slope, the lawn scarifier could tip over and cause an injury. Steer the appliance directly across inclines, never up and down them. Never scarify on slopes with an inclination of more than 20 %.
- Be particularly careful when changing the direction and always pay attention to a good position.
- Be especially careful if pulling the unit backwards towards yourself.
- There is a risk of injury when scarifying along borders. Scarifying near edges of lawns, hedges or steep banks can be dangerous. Always keep the safety distance when scarifying.
- If aerating damp grass, the unit may slip due to reduced adhesion and you may fall. Only scarify the lawn when the grass is dry.
- Work only by daylight or in good artificial lighting.
- Never lift or carry the appliance when the engine is running. First, pull the mains plug out of the socket.
- When removing the grass catcher you or other persons could be injured by ejected material or by foreign bodies. Never empty the grass sack while the engine is running. Switch off the scarifier.
- Check the terrain on which the unit is being used and remove all objects which may be picked up and ejected.
- If the cutter strikes a foreign object (e.g. stone) or if the unit starts vibrating unusually: Switch off the motor immediately and pull out the mains plug. Check the unit for damage and have a specialist company repair any damage.
- Never start the unit with both front wheels in the working position. The cutting tool is touching the ground and the appliance can start moving.

#### **Injury**

- Always maintain a safe distance from the rotating tool by means of the steering handle.
- Never place your hands, feet, or other parts of the body near rotating parts.
- Never stand in front of the ejection holes when starting the scarifier.
- Stop the motor,
  - before tilting the appliance,
  - for transporting over surfaces other than grass.
- Switch the motor off and pull out the mains plug,
  - before you clear the ejector of blockages and other hindrances;
  - before you check, clean, adjust or work on the scarifier;
  - immediately after a foreign object. Check scarifier for damage and contact a specialist workshop in the event of damage;
  - immediately after the appliance starts to vibrate. with unusual violence and before you check the appliance.

#### **Stumbling**

- When turning the unit, you may trip over the power cord and injure yourself. Always guide the power cord so that it can never fall into the walking and aerating area.
- Operate the vehicle at walking speed only.

#### **Damage to the lawn scarifier**

- Stones, branches or similar objects lying about may damage the unit and its mode of operation. Remove all objects from the appliance's path before every use.
- Do not operate the machine if it is not in perfect working order. Subject the appliance to a thorough visual check before using it. Check in particular the safety equipment, electric controls, power cables and threaded connections for damage and secure attachment. Replace damaged parts before operating the unit.

## Operating times

Follow the national/ municipal regulations with respect to times of usage (if required ask your local authority).

## Directions

Details of specific locations on the lawn scarifier (e.g. left, right) are always quoted as seen from the steering handle and while facing forward.

### 1. Hang the grass catcher

(optional, depending on model)

Figure 2

- Lift up the deflector flap and hook the grass sack onto the lawn scarifier.

### 2. Setting the depth of cut

#### Caution

#### **Units with detachable wheels**

Figure 3a/b

*The working depth must be set correctly before the unit is used for the first time. When assembling the wheels (A), ensure that they are assembled in the correct position for the working depth setting.*

*Working depth setting when using the unit for the first time is position 1 of the wheel assembly.*

#### **Units with height adjustment lever**

Figure 3c

*The working depth must be set correctly before the unit is used for the first time. The height adjustment lever may be moved to the first working depth setting only (B, first notch).*

## Information on all types

Wear on the blades will make it necessary to re-adjust the depth of cut at a later date. An optimum working depth is obtained when the blades of the cutter are inserted 2–3 mm into the ground.

If the working depth is too deep, this can overload the scarifier and cause damage. Ensure that the depth of cut setting is correct.

Figure 3a/b

- Unscrew wheels (A) and move to the appropriate height setting. Screw on wheels tightly.

or

Figure 3c

- Set height adjustment lever (depending on model) according to the wear on the blades. Settings C, D, E are not required until the blades are worn. Depending on the degree of wear, gradually set the blades lower, starting at C.

### 3. Power cord

Figure 4

- Attach power cord to the cord grip.
- First plug the mains plug into the switch/plug combination on the unit and then into a 230 V socket.

### 4. Starting the engine

#### Danger

*Keep hands and feet well away from the cutting blade.*

Figure 5

- Keep the appliance on an even surface with little or the shortest possible grass.
- Tilt the unit backwards slightly until the front wheels are off the ground (Fig. 5a) or move the height adjustment lever to position A to prevent the blade shaft from touching the ground (Fig. 5b).
- Press and hold down the locking button (Fig. 5c).
- Pull and hold the switch lever, release the locking button (Fig. 5c).
- Slowly lower the front of the unit until the front wheels are touching the ground again or move the height adjustment lever (depending on model) forwards to the first working depth setting (B, first notch) (Fig. 5b).

## Note

When the cutter deck is in contact with the ground, the unit can move.

### 5. Stopping the engine

- Release switch lever (Fig. 8a).

The motor and the cutter deck stop after a short time.

### 6. Scarification

Figure 6

- Start the engine as indicated.
- Push the scarifier along parallel strips of the lawn.
- Place the power cord in large loops on the ground.

### 7. Detaching and emptying the grass sack (Optional, depending on model)

Figure 7

- Release switch lever and wait until the motor stops.
- Lift the deflector flap and unhook the grass sack.
- Empty out the contents.

### 8. Working without the grass sack

Whenever you detach the grass sack, the deflector flap drops down. When scarifying without the grass sack attached, the cuttings are ejected straight onto the ground.

### 9. After finishing work

- Stopping the engine.
- Pull the mains plug out of the unit and the socket.
- Empty grass catcher.
- Leave the motor to cool down (approx. 30 minutes) before cleaning, servicing, storing or shutting down the unit.

## About aeration

In order that a healthy lawn can develop in the spring, it is necessary for greater amounts of air to penetrate the area around the roots of the grass. During this period the lawn must be scarified more frequently than in the summer.

Scarify the lawn

- more frequently in the spring,
- when required in the summer,
- more frequently in the summer as well if the lawn has large areas of shade.

Only scarify the lawn when the grass height is less than 4 cm. If the grass has exceeded this length, the lawn should be mown before it is aerated.

Apply fertiliser to the areas that have been scarified and water it in, so that fresh grass can grow more quickly.

## Transporting the appliance

### Caution

The cutting blades and the unit as a whole could be damaged if the scarifier is wheeled over a hard surface, for example, with the engine switched off. Avoid bringing the cutter deck into contact with the ground. Always guide the unit in a tilted position and only on the rear wheels (Fig. 8c) or move the height adjustment lever to position **A** to prevent the blade shaft from touching the ground (Fig. 8b). Never lift or carry the unit without first pulling out the mains plug.

### Short distances by hand

- Stopping the engine.
- Tilt the unit backwards slightly until the front wheels are off the ground (Fig. 8c) or move the height adjustment lever to position **A** to prevent the blade shaft from touching the ground (Fig. 8b).
- Push the scarifier.

### When using a vehicle

#### Caution

- When transporting the scarifier in or on a vehicle, ensure that it does not move around unintentionally.
- Do not wedge or kink the power cord between the motor and switch/plug combination.

Figure 9

- The steering handle can be folded down to facilitate storage.

## Servicing/cleaning

### Danger

To protect against injury before all work on the appliance

- switch OFF the engine,
- wait until all rotating parts have come to a standstill,
- pull out the mains plug,
- leave the motor to cool down (approx. 30 minutes).

### Servicing

#### Danger

To protect against injury from the cutters, have a specialist garage perform all work such as replacing or regrinding the cutters (special tools required).

Replace a brittle or damaged power cord.

### Once a season

- Lubricate the joints and twist springs on the deflector flap.
- At the end of the season the appliance must be checked and serviced at a specialist garage.

### Cleaning

#### Caution

- Do not splash the unit with water, otherwise electric components may be damaged.
- Clean the appliance after every use. A unit which is not cleaned will result in damaged materials and impaired function.

### Cleaning the scarifier

#### Danger

Work on the cutters can cause injury. Wear safety gloves for your protection.

Whenever possible, clean the lawn scarifier straight after you have finished working on the lawn.

- Always park the unit on solid ground and secure to prevent it from rolling away.
- Tilt the unit forwards.

- Clean the cutter chamber and the ejector cover with brush, hand broom, or cloth.
- Stand the scarifier on its wheels again, and remove any remaining grass cuttings or dirt that can still be seen.

### Cleaning the grass sack

The best method is to clean the grass sack straight after you have finished scarifying.

- Detach and empty the grass sack.
- The grass catcher may be cleaned with a powerful jet of water from the garden hose.
- Allow the grass sack to dry out thoroughly before using it again.

## Laying up the vehicle

### Caution

Damage to appliance materials.

Store the unit in a clean and dry room only. During prolonged storage, e.g. in winter, ensure that the unit is protected against rust.

At the end of the season or when the vehicle will not be used for longer than a month.

- Clean the scarifier and the grass sack.
- To protect metal parts from rust, wipe them all down with an oiled cloth (resin-free oil) or apply an oil spray.
- Fold down the handle and store the unit in a suitable room.

## Warranty

The warranty regulations issued by our company or the importer are valid in all countries. As part of the warranty, we remedy malfunctions on your appliance free of charge provided that this malfunction is caused by a material or manufacturing defect. In the event of a warranty claim, please turn to your dealer or the nearest branch office.

## Identifying and eliminating malfunctions

Malfunctions that occur during the operation of your appliance often have simple causes that you should know and be able to repair on your own. In cases of doubt your specialised garage will be pleased to assist you further.

<b>Problem</b>	<b>Possible cause(s)</b>	<b>Remedial action</b>
Motor does not start	Household fuse overloaded	Switch on fuse; if required increase the house-hold connection fuse or have one installed by a specialist.
	Power cord not connected or defective	Check and plug in power cord; if required replace or have it repaired by a specialist
	Switch/plug combination defective	Have it repaired by a specialist company
Motor is humming, but not running	Aerator in operating position	Place aerator on a surface with short grass; to do this, tilt the unit backwards while starting it until both front wheels are off the ground
	Cutter deck blocked	Pull out mains plug, remove blockage
Motor suddenly stops	Plug has become loose	Check power cord, ensure that it is attached to the cord grip, insert plug again
	Overload protection has switched off	Pull out mains plug, remove blockage in the discharge, wait approx. 10 min., switch on again
Unusual noises (jangling, rattling, clattering)	Bolts, nuts or other mounting parts slack	Tighten parts; if the noises persist: contact a specialist company
Jolting, vibrations	Cutter deck damaged, twisted	Switch off motor immediately. Have cutting blades replaced in a specialist workshop
	Engine attachment slack	Switch off motor immediately. Engine must be secured at specialist garage
Motor speed drops off	Depth of cut too great	Select recommended working depth
	Grass too high	Mow the lawn before scarifying
	Ejector channel blocked	Pull out mains plug, remove blockage
Poor scarification results	Depth of cut too small	Set to greater depth of cut
	Worn cutting blades	Have cutting blades replaced in a specialist workshop
Scarified material is not being picked up	Grass catcher is full, clogged	Switch off aerator, empty grass catcher or clean air slots in the grass catcher
Grass catcher is not filling up	Ejector channel blocked	Pull out mains plug, remove blockage